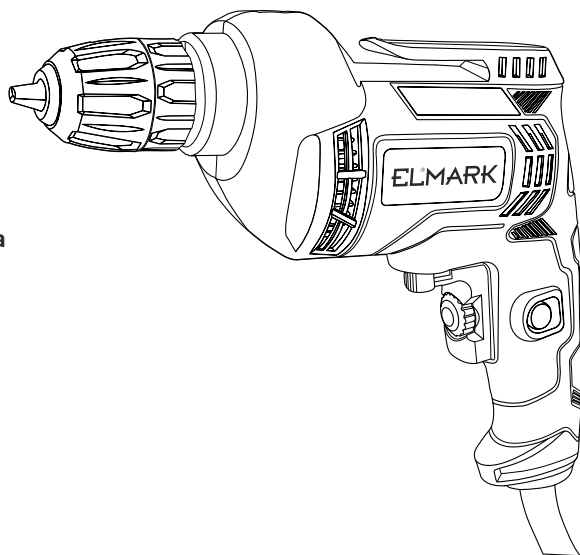


- BG** Инструкция за монтаж и експлоатация
- EN** Instruction for installation and use
- RO** Instrucțiune de instalare și utilizare
- SRB** Uputstvo za ugradnju i upotrebu
- HR** Uputstvo za ugradnju i upotrebu
- BIH** Uputstvo za ugradnju i upotrebu
- HU** Szerelési és kezelési utasítás
- SLO** Navodilo za vgradnjo in uporabo
- GR** Οδηγιοσ για την εγκατασταςη και τη χρηση
- MK** Упатство за вградување и употреба
- SK** Návod na montáž a používanie
- PL** Instrukcja instalacji i użytkowania
- PT** Instrução para instalação e uso
- IT** Istruzioni per l'installazione e l'uso

**ELMARK**<sup>®</sup>  
The Brand of Electricity  
[www.elmarkholding.eu](http://www.elmarkholding.eu)



- BG** Бормашина
- EN** Drill
- RO** Burghiu
- SRB** Bušilica
- HR** Bušilica
- BIH** Bušilica
- HU** Fúró
- SLO** Vrtalnik
- GR** Τρυπάνι
- MK** Вежба
- SK** Vřtačka
- PL** Wiercić
- PT** Broca
- IT** Wiercić

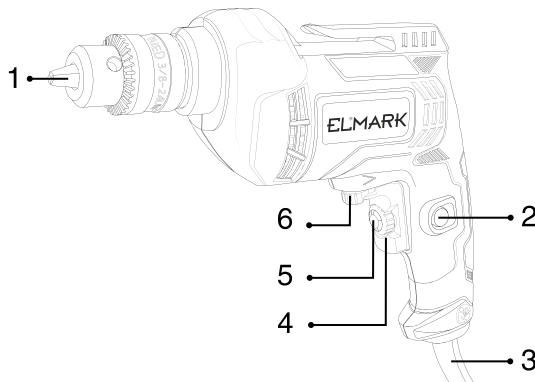
## TECHNICAL SPECIFICATIONS

Model No.	<b>59510</b>
Rated power input	500W
Rated voltage	220-240V~50/60Hz
No-load speed	0-4300/min <sup>-1</sup>
Chuck capacity	0.6-6.5mm
Max. drilling in steel	10mm
Max. drilling in wood	20mm

## COMPONENTS, SPECIFICATIONS AND ACCESSORIES

### COMPONENTS LIST

- 1) Chuck
- 2) Switch lock button
- 3) Cable sleeve
- 4) On/Off switch
- 5) Variable speed control
- 6) Forward/reverse selector switch



## SAFETY INSTRUCTIONS

Producer/Importer: "Elmark Industries SC"  
Authorized representative: "Elmark Group" LTD  
Company address:  
Dobrich 9300, 2 Dobrudzha Blvd.  
phone +359 58 50 00 50; email: info@elmarkholding.eu:

### **WARNING!**

Read all instructions Failure to follow all in structions listed below may result in electric shock, fire and/or serious injury. The term "power tool" in all of the warnings listed below refers to your mains-operated (corded) power tool.

### ■ **WORK AREA**

- a) Keep work area clean and well lit. Cluttered and dark areas invite accidents.
- b) Do not operate power tools in explosive atmospheres, such as in the presence of flammable liquids, gases or dust. Power tools create sparks which may ignite the dust or fumes.
- c) Keep children and bystanders away while operating a power tool. Distractions can cause you to lose control.

### ■ **ELECTRICAL SAFETY**

- a) Power tool plugs must match the outlet. Never modify the plug in any way. Do not use any adapter plugs with earthed (grounded) power tools. Unmodified plugs and matching outlets will reduce risk of electric shock.
- b) Avoid body contact with earthed or grounded surfaces such as pipes, radiators, ranges and refrigerators. There is an increased risk of electric shock if your body is earthed or grounded.
- c) Do not expose power tools to rain or wet conditions. Water entering a power tool will increase the risk of electric shock.
- d) Do not abuse the cord. Never use the cord for carrying, pulling or unplugging the power tool. Keep cord away from heat, oil, sharp

edges or moving parts. Damaged or entangled cords increase the risk of electric shock.

e) When operating a power tool outdoors, use an extension cord suitable for outdoor use. Use of a cord suitable for outdoor use reduces the risk of electric shock.

## ■ PERSONAL SAFETY

a) Stay alert, watch what you are doing and use common sense when operating a power tool. Do not use a power tool while you are tired or under the influence of drugs, alcohol or medication. A moment of inattention while operating power tools may result in serious personal injury.

b) Use safety equipment. Always wear eye protection. Safety equipment such as dust mask, non-skid safety shoes, hard hat, or hearing protection used for appropriate conditions will reduce personal injuries.

c) Avoid accidental starting. Ensure the switch is in the off-position before plugging in. Carrying power tools with your finger on the switch or plugging in power tools that have the switch on invites accidents.

d) Remove any adjusting key or wrench before turning the power tool on. A wrench or a key to a rotating part of the power tool may result in personal injury.

e) Do not overreach. Keep proper footing and balance at all times. This enables better control of the power tool in unexpected situations.

f) Dress properly. Do not wear loose clothing or jewellery. Keep your hair, clothing and gloves away from moving parts. Loose clothes, jewellery or long hair can be caught in moving parts.

g) If devices are provided for the connection of dust extraction

and collection facilities, ensure these are connected and properly used. Use of these devices can reduce dust related hazards.

## ■ POWER TOOL USE AND CARE

a) Do not force the power tool. Use the correct power tool for your application. The correct power tool will do the job better and safer at the rate for which it was designed.

b) Do not use the power tool if the switch does not turn it on and off. Any power tool that cannot be controlled with the switch is dangerous and must be repaired.

c) Disconnect the plug from the power source before making any adjustments, changing accessories, or storing power tools. Such preventive safety measures reduce the risk of starting the power tool accidentally.

d) Store idle power tools out of the reach of children and do not allow persons unfamiliar with the power tool or these instructions to operate the power tool. Power tools are dangerous in the hands of untrained users.

e) Maintain power tools. Check for misalignment or binding of moving parts, breakage of parts and any other condition that may affect the power tools operation. If damaged, have the power tool repaired before use. Many accidents are caused by poorly maintained power tools.

f) Keep cutting tools sharp and clean. Properly maintained cutting tools with sharp cutting edges are less likely to bind and are easier to control.

g) Use the power tool, accessories and tool bits etc., in accordance with these instructions and in the manner intended for the particular type of power tool, taking into account the working conditions and the work to be performed. Use of the power tool for operations

different from intended could result in a hazardous situation.

## ■SERVICE

a) Have your power tool serviced by a qualified repair person using only identical replacement parts. This will ensure that the safety of the power tool is maintained.

## ■ADDITIONAL SAFETY INSTRUCTIONS FOR YOUR DRILL

- 1) Always wear ear protectors with electric drill. Exposure to noise can cause hearing loss.
- 2) Always wear eye protectors when using this impact drill.
- 3) Always use the auxiliary handles supplied with the tool. Loss of control can cause personal injury.
- 4) Always check walls and ceiling to avoid hidden power cables and pipes. A metal detector can be obtained.
- 5) Do not start the drill with the chuck key in chuck.
- 6) Make sure the power switch is not "on" before you plug in. Always switch off before you put your drill down.
- 7) Hold your impact drill firmly in both hands.
- 8) Make sure drill bit are tightened securely in chuck.
- 9) Do not use damaged or worn drill bits.
- 10) Use clamps or a vice to hold workpiece, if possible.

## ■DOUBLE INSULATION

The tool is double insulated. This means that all the external metal parts are electrically insulated from the mains power supply. This is done by placing insulation barriers between the electrical and mechanical components making it unnecessary for the tool to be earthed.

**⚠ IMPORTANT NOTE:**

Ensure your mains supply voltage is the same as your tool rating plate voltage. Remove the mains plug from socket before carrying out any adjustment or servicing.

**SYMBOLS**

Read the manual



Warning



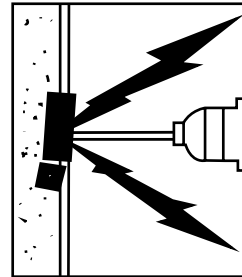
Wear eye protection



Wear ear protection



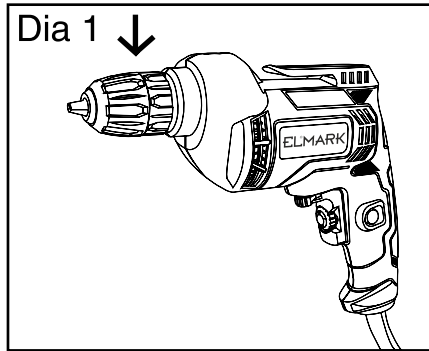
WEEE marking

**▪ ACCESSORIES****WARNING!**

Before using your drill be sure to read the instruction manual carefully.

**▪ INSERTING A TOOL INTO CHUCK (SEE DIA1)****WARNING!**

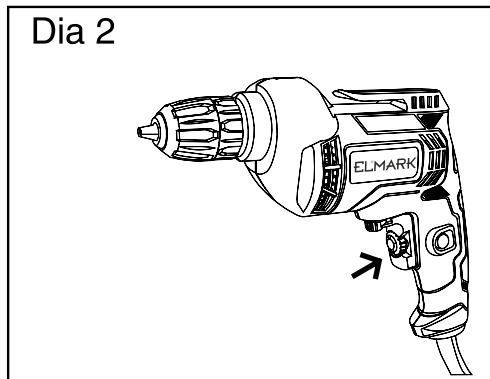
Before installing tool, remove mains plug from mains supply.  
Remove chuck key from key storage tab at base of drill handle, place key into chuck, turn key anti-clockwise to undo/loosen chuck, inset drill/tool and firmly tighten chuck by turning key clockwise.  
Remove key and replace in storage tab at base of drill handle.



Turn chuckkey clockwise to tighten

### ■ OPERATING THE ON/OFF SWITCH (SEE DIA2)

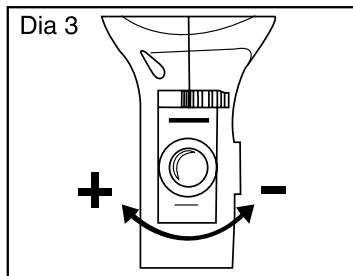
Press the on/off switch in for operation, release switch to stop. If you wish to use the drill continuously the switch lock button can be pushed in after the on/off switch has been depressed. To release the lock button simply depress on/off switch fully, the button will automatically release.





## ▀. VARIABLE SPEED CONTROL SELECTOR (SEE DIA3)

The maximum speed can be altered by turning the variable speed control. Turn clockwise to increase and anti-clockwise to decrease speed. The speed of the drill varies with the amount of pressure applied to the on/off switch, i.e. more pressure for higher speed.

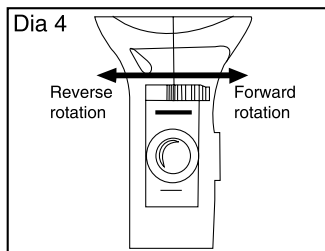


## ▀. CHANGING ROTATIONAL D IRECTION (SEE DIA 4)

To change the r otational direction, pus h the forward/reverse selector switch on your drill .

### ⚠ NOTE:

Never m ove the forward/reverse switch w hile the drill in operation or the on/off s witch is locked a s this will d amage the drill .



## MAINTENANCE AND TROUBLESHOOTING

### ■ WORKING HINTS FOR YOUR DRILL

#### 1) Drilling steel

HSS drill bits should always be used for drilling steel with a lower speed.

2) Screw driving Use a low speed to drive in or remove screws.

3) Pilot holes When drilling a large hole in tough material (i.e. steel), we recommend drilling a small pilot hole first before using a large drill bit.

4) Cool the motor If your power tool becomes too hot, set the speed to maximum and run no load for 2-3 minutes to cool the motor.

## MAINTENANCE

1) Never use water or chemical cleaners to clean your power tool. Wipe clean with a dry cloth.

2) Always store your power tool in a dry place.

3) Keep the motor ventilation slots clean.

4) If you see some sparks flashing in the ventilation slots, this is normal and will not damage your power tool.

5) If the supply cord is damaged, it must be replaced by a special cord or assembly available from the manufacturer or its service agent.

## TROUBLESHOOTING

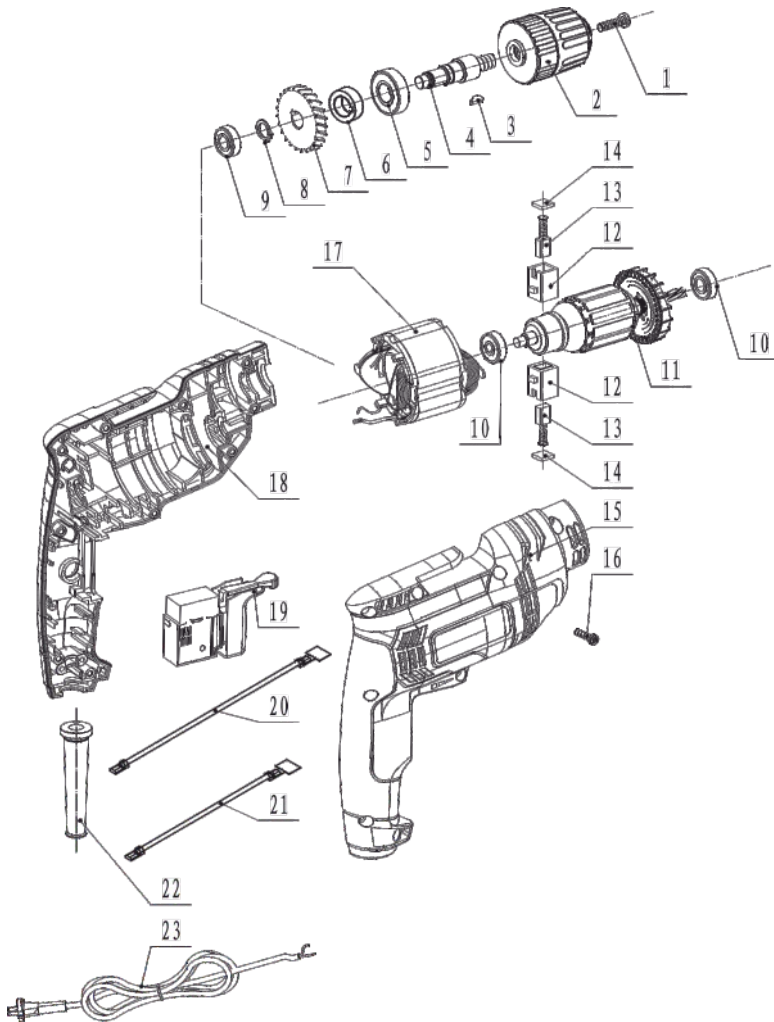
1) If your drill will not operate, check the power at the mains plug.

2) If the drill is not drilling properly, check the drill bit for sharpness,

replace drill bit if worn. Check that the drill is set to forward rotation for normal use.

3) If a fault can not be rectified return the drill to qualified repair personel for service.

## SPARE PART LIST



NO.	Description	Unit	QTY
1	screw M5*18	PCS	1
2	chuck	PCS	1
3	woodruff key	PCS	1
4	output spindle	PCS	1
5	bearing 6001	PCS	1
6	gear washer	PCS	1
7	gear	PCS	1
8	circlip for shaft 12	PCS	1
9	bearing 608	PCS	1
10	bearing 608Z	PCS	2
11	armature	PCS	1
12	brush holder	PAIR	1
13	carbon brush	PAIR	1
14	brush cap	PAIR	1
15	right housing	PCS	1
16	scre ST4*16	PCS	10
17	stator	PCS	1
18	left housing	PCS	1
19	switch	PCS	1
20	cord anchor 110mm	PCS	1
21	cord anchor 80mm	PCS	1
22	cord sleeve	PCS	1
23	cord	PCS	1



# WARRANTY CARD

MODEL.....

SERIAL No:.....

TERM:.....

---

## BUYER INFORMATION:

Name/Company: .....

Address: .....

Signature: .....

---

## SELLER INFORMATION:

Name/Company: .....

Address: .....

Data/ Stamp: .....

**CENTRAL SERVICE OF ELMARK:**  
No2, Dobrudhza blvd.,  
tel.:+359 58 500050  
[www.elmarkholding.eu](http://www.elmarkholding.eu)

## SERVICE PROTOCOL

No of Acceptance protocol	Date of acceptance	Description of the defect	Date of transmission	Sign

### WARRANTY TERMS FOR ELECTRICAL ACCUMULATIVE TOOLS, BATERIES AND CHARGERS

Thank you for your purchase of product with trade mark ELMARK!

All products trade mark ELMARK have a legal warranty according to the acting law and the commercial policy of the company.

The warranty is valid for end customers and covers all the defects of products, occurred during the normal exploitation within the warranty period. The terms of use are notified on the product, its packing, the attendant documentation and the catalogues of ELMARK.

The commercial warranty, which ELMARK provides is as follows:

- A 24 months standard warranty for all electrical tools with trade mark ELMARK for all individuals and legal entitles.

- A 12 months option for extension of the warranty period for all electrical tools for all individuals and legal entitles, after submitting an application for registering the extended warranty at **[www.elmarkholding.eu](http://www.elmarkholding.eu)**

- A 24 months standard warranty for all rechargeable tools with trade mark ELMARK for all individuals and legal entitles

- A 12 months option for extending the warranty period for all rechargeable tools for all individuals and legal entitles after submitting an application for registering the extended warranty at **[www.elmarkholding.eu](http://www.elmarkholding.eu)**

#### AN EXTENDED WARRANTY:

Register your purchase of product with trade mark ELMARK within 14 days after the purchase and take your EXTENDED WARRANTY up to 3 years for all electrical and rechargeable tools , batteries and chargers.

See how and for which products you can get an extended warranty or register your purchase here :

[www.elmarkholding.eu](http://www.elmarkholding.eu)

The detailed warranty terms can be read here: [https://www.elmarkholding.eu/bg/Warranty\\_Terms-and-Conditions.html](https://www.elmarkholding.eu/bg/Warranty_Terms-and-Conditions.html)

The commercial warranty is valid within providing the warranty card filed in correctly at the moment of purchasing the tool, along with the fiscal cash receipt or an invoice.

The model, the serial number of the product, the name, the sign and the stamp of the trade representative, sold the tool and the sign of the customer, stated that is aware of the warranty terms, the date of the purchase must be fill in the warranty card.

As to guarantee the safe work the customer to get acknowledged well with the instructions for use of the machine, the rules for safety when working with it and its strict use.

The machine requires a periodic cleaning and suitable maintenance and storage.

The warranty does not cover:

- abrasion of the color cover of the machine;
- parts and consumptives, subject to abrasion, caused by the use, for example: grease and oil, brushes, conductors, support rolls, tampons, rubber muffs, drive belts, brakes, flexible shaft with sting, chocks, oil seals and etc.;
- additional accessories and consumptives like: handles, collets (handles and holders of the edge of the cutting tool)
- manual starting mechanism;
- setting of the work schedule;
- fusible electrical conductors and bulbs;
- mechanical damages of the body and all of the outside elements of the product, decorative including; eye fuses, cutting tools fuses ;rubber tapes, cuffs, linear and others;
- power supply and plug;
- the common damages of the tools, caused by disasters as fires, floods, earthquakes and others

## **WARRANTY VOID**

ELMARK is not responsible for any damages caused by third parties, as "Power supply companies", damages of external type, as power supply shocks, non-standard power supply capacities and it has the right to refuse the warranty service of:

- damages caused by the transport, incorrect storage and montage of the machine;
- a try made for unauthorized service intervention at a unauthorized service base;
- damages, caused due to incorrect use (not minding the instruction for exploitation) of the machine on besides of the customer or third parties;
- damages caused in result of the use of the machine in a different environment than the recommended from the manufacturer (moisture, temperature, ventilation, voltage, dust and others.)
- damages, caused due to hit of external bodies in the machine;
- damages caused due to the consequence of careless work with the machine;
- damage in the consequence due to incorrectly fixed or unsharpened cutting tool;
- damage of a rotor or stator, due to stick between them in consequence of melting the isolations caused by an ongoing overloading;
- damage of a rotor or a stator, caused by overloading or disturbed ventilation, caused by the color of change of the collector or the windings.
- lack of protection discs, supporting tops or other components, which a part of the construction of the instrument and are intended to assure its safe and proper exploitation;
- the power supply cable of the tool is extended or changed by the customer;
- the damage is caused by overloading;
- wearing out or blocked lagers due to overloading, ongoing work or dust;
- broken lager nest due to a blocked lager or broken bushing;
- broken keyway or threaded connection;
- damage in the power switch or electrical management due to dust or breakage;
- a damaged centrifugal wheel and brake (changed color)-due to the work with a blocked brake;



-lack of components which are part of the construction of the tool and are intended to assure its safe and proper exploitation.

The terms of repairing the accepted in the service machines is within one month.

Presentation of the warranty rights after expiration of the warranty period is out of the question. The repair or the replacement of the tool does not lead to extending of the warranty period and within this service for the tool or if there are mounted spare parts eventually, then a new warranty period doesn't begin.

ELMARK is not responsible for machines, which are not sought after within one month after their legal term for repair.

The commercial warranty for batteries and chargers, which ELMARK provides is as follows:

**- a 24 months standard warranty for all batteries and chargers for rechargeable tools with trade mark ELMARK for all individuals and legal entities.**

**- a 12 months option for extending the warranty period for all batteries and chargers for rechargeable tools for all individuals and legal entities, after submitting the application for registering the extended warranty at [www.elmarkholding.eu](http://www.elmarkholding.eu).**

The warranty term starts its term as of the purchase date. The warranty covers all defects, occurred when the battery and the charger are used correctly, according to the instruction for use. ELMARK assures warranty, applicable at the numerous terms as of below, with a free removal of defects of the product, which within the warranty period it can be proved that are caused by defects of material or during the production. The commercial warranty is valid when the warranty card of the battery or the charger submitted is correctly filled in at the moment of the purchase of the product and with a fiscal cash receipt or an invoice. The warranty card must contain the model of the product, its serial number, a name, sign and stamp of the trade representative sold the battery or the charger, a sign of the customer, that is acknowledged with the warranty terms and the date of purchase.

The warranty does not cover:

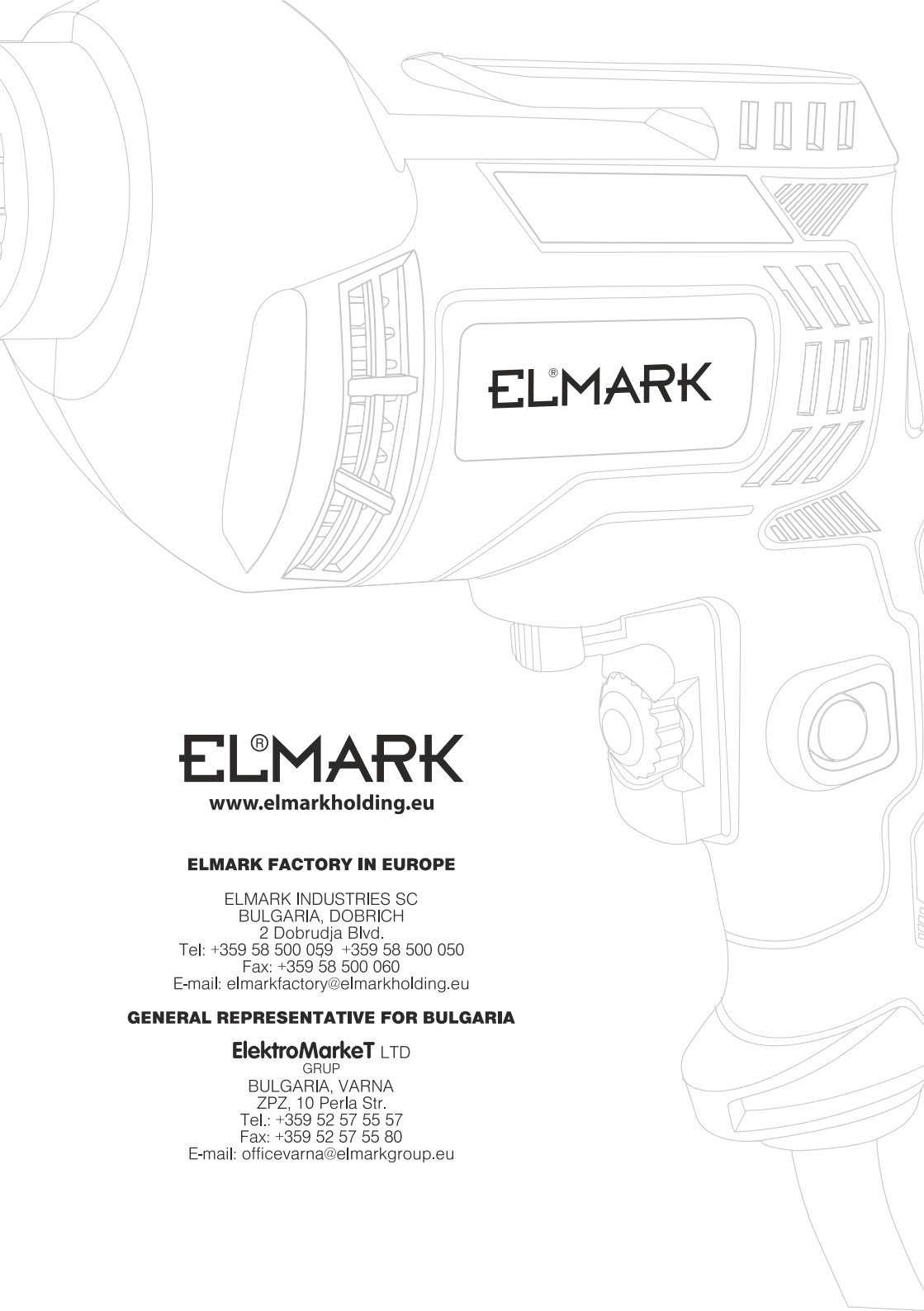
- wearing out of the color cover of the battery and the charger;
- damages, caused by the transport, mechanic damages /of the body and all external elements of the battery and the charger, decorative, including if any other external influences or nature disasters occur as fires, floods, earthquakes;
- defects of amortization, normal wear out and waste;

The warranty voids in cases of:

- violation of the integrity, deletion or lack of the label of the manufacturer on the battery and the charger;
- all cases of damages ,caused by incorrect use (a non-compliance of the instruction for exploitation), dropping out, shock, flooding with liquids, careless use and in all cases that all the cells in the battery are dead beyond the critical minimum;
- charging with non -original chargers, the power supply cable is extended or changed by the customer, or other external influences, in disagreement with the requirements.
- when a trial for repair, installation, dismantling, modification from the consumer or changes of unauthorized persons or companies are done.
- when the battery or the charger are not used as intended;
- damages, caused as a result of the use and the storage of the battery and/or the charger in another environment except the recommended from the manufacturer;
- at electric shocks, thunders, floods, fires, and other external impacts;
- at work with a non-standard power supply net and with another inappropriate or non-standard devices;

The presentation of the warranty terms after expiration of the warranty period is excluded. The repair or the replacement of the tool does not lead to extension of the warranty period, as well as with the service for the tool or for eventual mounted spare parts, a new warranty period does not start.

The term of repair of accepted in the service batteries and chargers is within the legal term for repair -one month, after which the services are not responsible in case they are not looked up.



**EL<sup>®</sup>MARK**  
[www.elmarkholding.eu](http://www.elmarkholding.eu)

**ELMARK FACTORY IN EUROPE**

ELMARK INDUSTRIES SC  
BULGARIA, DOBRICH  
2 Dobrudja Blvd.  
Tel: +359 58 500 059 +359 58 500 050  
Fax: +359 58 500 060  
E-mail: [elmarkfactory@elmarkholding.eu](mailto:elmarkfactory@elmarkholding.eu)

**GENERAL REPRESENTATIVE FOR BULGARIA**

**ElektroMarkeT** LTD  
GRUP  
BULGARIA, VARNA  
ZPZ, 10 Perla Str.  
Tel.: +359 52 57 55 57  
Fax: +359 52 57 55 80  
E-mail: [officevarna@elmarkgroup.eu](mailto:officevarna@elmarkgroup.eu)